

Industrial Panel PC with 10.4" Flat Panel Display "7-slot Passive Backplane and 70 W Power Supply"



The IWS-532 is a compact panelmount station with 10.4" flat panel display, offering space to up to 7 half-size cards

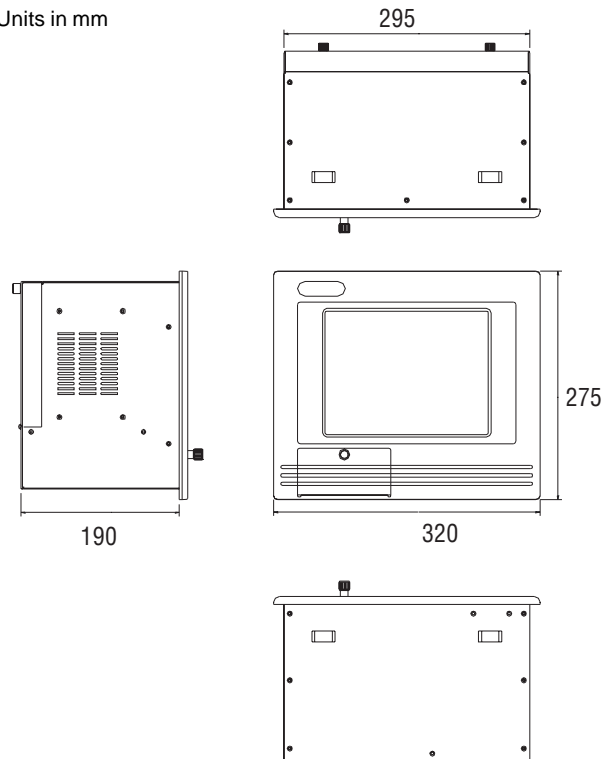
The station's heavy-duty sealed aluminium alloy front panel meets NEMA 4/12 standards. A 3½" floppy drive is safely placed behind a dust proof door on the side of the station. The station can optionally be equipped with a touchscreen.

Features

- Heavy-duty NEMA 4/12 aluminium alloy front panel
- Flat Panel options :
9.4" Mono DD, 9.4" Mono EL, 10.4" SVGA DSTN or 10.4" SVGA TFT panel
- 7-slot ISA passive backplane
- Two 3½" bays for FDD and HDD
- Panelmount
- 70 W switching power supply, optional 12 V_{DC}, 24 V_{DC} or 48 V_{DC} power supply
- Hold-down clamp protects cards from vibration and shock
- 30 CFM cooling fan (flow-in) on side panel with air filter
- 10" analog resistive touchscreen (optional)

DIMENSIONS

Units in mm



Specifications

- **Construction** : heavy-duty NEMA 4/12 aluminium alloy front panel with coated steel chassis
- **Passive Backplane** : 7-slot ISA
- **Disk Drive Housing** : two 3½" drive bays
- **System Cooling** : one 30 CFM cooling fan (flow-in) on side panel with air filter
- **Dimensions** : 320(W) x 215(H) x 200(D) mm
- **Weight** : 9.5 Kg

FLAT PANEL DISPLAY

Flat Panel	Mono LCD	Color DSTN	Color TFT
Size/type	9.4" Mono	10.4" VGA	10.4" SVGA
Display area in mm.	196 (H) 147.6 (V)	214.2 (H) 164.4 (V)	211.2 (H) 158.4 (V)
Resolution	640 x 480	640 x 480	640 x 480
Colors	16 grayscales	4096	262,144

FRONT PANEL

- **Drive Bay** : access to one 3½" FDD drive behind a dust-proof front door

REAR PANEL

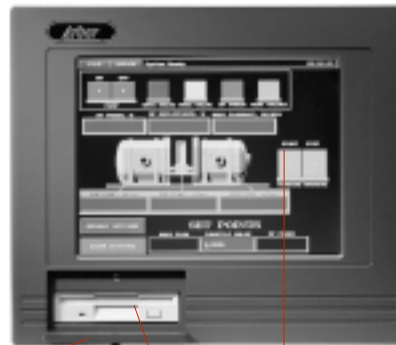
- **Control** : power on/off, brightness/contrast, parallel port

POWER SUPPLY

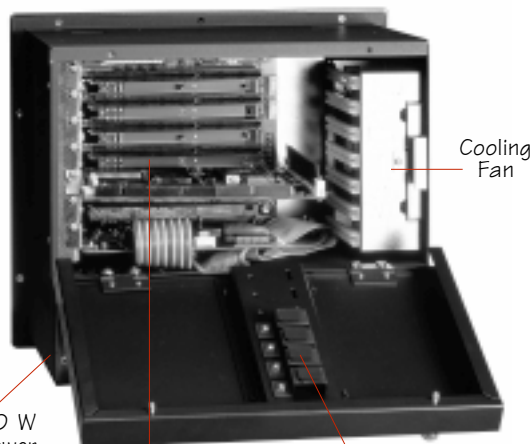
Power Supply	Input Voltage	Maximum Output Current			
		+5V	+12V	-5V	-12V
Universal 70 W	85~265V _{AC}	7A	2.5A	0.3A	0.3A
+48V _{DC} / 70 W	+36~+72V _{DC}	7A	2.5A	0.3A	0.5A
+24V _{DC} / 70 W	+18~+36V _{DC}	7A	2.5A	0.3A	0.5A
+12V _{DC} / 70 W	+8.5~+16V _{DC}	6A	2A	0.3A	0.5A

ENVIRONMENTAL

- **Operating Temperature** : 32~122°F (0 to 50°C)
- **Relative Humidity** : 5~95%, non-condensing
- **Altitude** : 10,000 feet or 3000 meters
- **Vibration** : 5~17 Hz, 0.1" double-amplitude displacement
17~500 Hz, 1.5G peak-to-peak
- **Shock** : 10 G peak acceleration, 11 msec duration
- **Safety** : meets UL/CSA/TÜV
- **EMI** : meets FCC/VDE Class A



Dust proof Front door
3½" FDD
10.4" Flat Panel



70 W Power Supply
7-slot ISA Backplane
Hold-down Clamp
Cooling Fan

Ordering

- **IWS-532TS** : Panel PC with 10.4" TFT SVGA Display includes :
ISA passive backplane, 7 x ISA
ISA Flat Panel SVGA Card, 1 MB installed
3½" FDD, 1.44 MB
Universal 70 W power supply, 85~265 V_{AC}
- **IWS-532DV** : Panel PC with 10.4" DSTN SVGA Display includes :
ISA passive backplane, 7 x ISA
ISA Flat Panel VGA Card, 1 MB installed
3½" FDD, 1.44 MB
Universal 70 W power supply, 85~265 V_{AC}
- **IWS-532MV** : Panel PC with 9.4" Mono SVGA Display includes : same as IWS-532DV
Optional Touchscreen