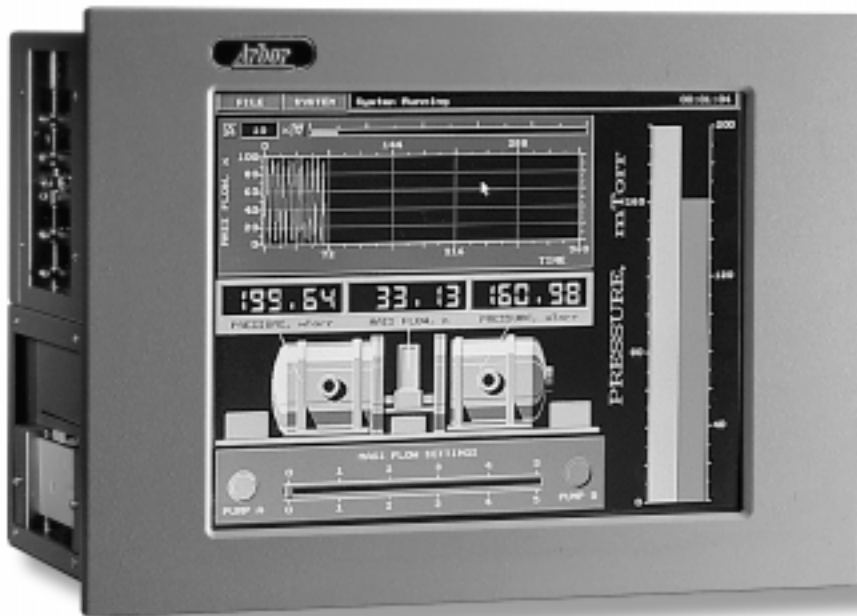


Industrial Panel PC with 14" Flat Panel Display "5-slot Passive Backplane and 250 W Power Supply"



The IWS-541 is a compact man-machine interface with a large high resolution flat panel display. You can choose from an economical 13.8" XGA DSTN or a high color 3.8" XGA TFT flat panel display.

The station's heavy-duty sealed aluminium alloy front panel meets NEMA 4/12 standards. The system includes a 5-slot PCI/ISA backplane that offers space to full size cards.

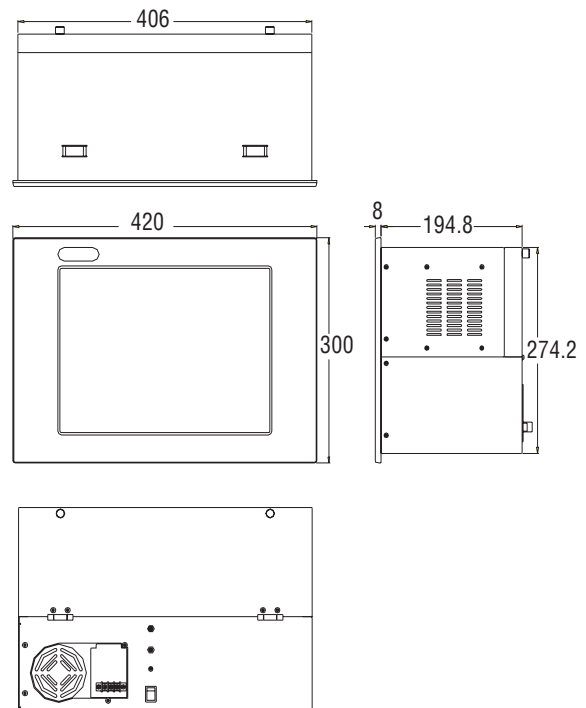
A 3½" and 5¼" drive are freely accessible from the side of the station. The station can optionally be equipped with a touchscreen

Features

- Heavy-duty NEMA 4/12 aluminium alloy front panel
- Flat Panel choice :
13.8" XGA DSTN or 13.8" XGA TFT panel
- 5-slot PCI/ISA passive backplane
- Two 3½" bays for FDD or HDD and a 5¼" drive for FDD or CDRROM
- Panelmount
- Universal 250 W switching power supply, optional 12 V_{DC} or 24 V_{DC} or -48 V_{DC} power supply
- Hold-down clamp protects cards from vibration and shock
- 30 CFM cooling fan (flow-in) on side panel with air filter
- 14" analog resistive touchscreen (optional)

DIMENSIONS

Units in mm



Specifications

- **Construction** : heavy-duty NEMA 4/12 aluminium alloy front panel with coated steel chassis
- **Passive Backplane** : 5-slot ISA
- **System Cooling** : one 30 CFM cooling fan (flow-in) on side panel with air filter
- **Disk Drive Housing** : two 3½" drives and one 5¼" drive
- **Dimensions** : 420(W) x 300(H) x 205(D) mm
- **Weight** : 12.3 Kg

FLAT PANEL DISPLAY

| Flat Panel | Color DSTN | Color TFT |
|---------------------|------------------------|------------------------|
| Size/type | 13.8" XGA | 13.8" XGA |
| Display area in mm. | 279.5 (H) 209.6 (V) | 279.5 (H) 209.6 (V) |
| Resolution | 1024 x 768 | 1024 x 768 |
| Colors | 262,144 | 262,144 |

SIDE PANEL

- **Drive Bays** : access to one 5¼" FDD/CDROM drive and one 3½" FDD drive

REAR PANEL

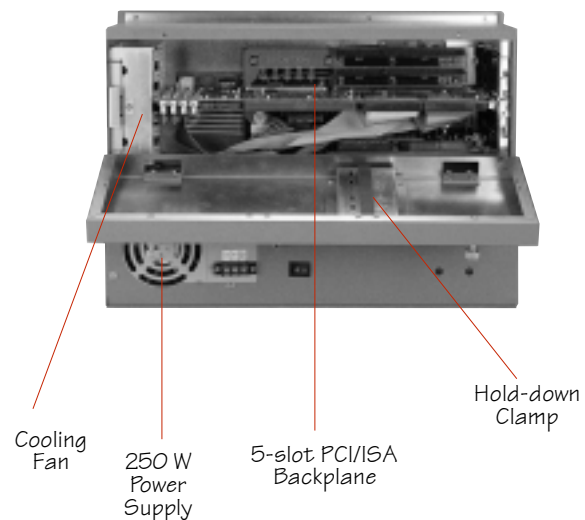
- **Control** : power on/off

POWER SUPPLY

| Power Supply | Input Voltage | Maximum Output Current | | | |
|----------------------------|-------------------------|------------------------|------|------|------|
| | | +5V | +12V | -5V | -12V |
| Universal 250W | 85~265V _{AC} | 22A | 7A | 0.5A | 0.7A |
| -48V _{DC} / 250 W | -40~-65V _{DC} | 25A | 8A | 1A | 2A |
| +24V _{DC} / 250 W | +19~+30V _{DC} | 25A | 6A | 1A | 2A |
| +12V _{DC} / 160 W | +8.5~+16V _{DC} | 20A | 4A | 0.5A | 0.5A |

ENVIRONMENTAL

- **Operating Temperature** : 32~122°F (0 to 50°C)
- **Relative Humidity** : 5~95%, non-condensing
- **Altitude** : 10,000 feet (3000 meters)
- **Vibration** : 5~17 Hz, 0.1" double-amplitude displacement
17~500 Hz, 1.5G peak-to-peak
- **Shock** : 10 G peak acceleration (11 msec duration)
- **Safety** : meets UL/CSA/TÜV
- **EMI** : meets FCC/VDE Class A



Ordering

- **IWS-541TX** : Panel PC with 13.8" TFT XGA Display includes :
PCI/ISA passive backplane, 2 ISA, 2 PCI, 1 PICMG slots
PCI SVGA Card, 1 MB installed
3½" FDD, 1.44 MB
Universal 250 W power supply, 85~265 V_{AC}
- **IWS-541DX** : Panel PC with 13.8" DSTN XGA Display includes : same as above
Optional Touchscreen